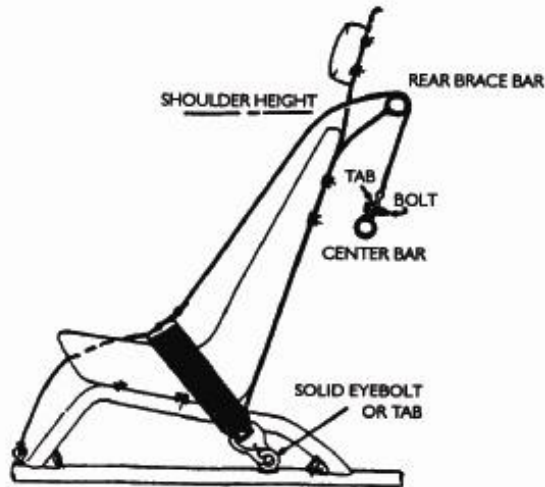
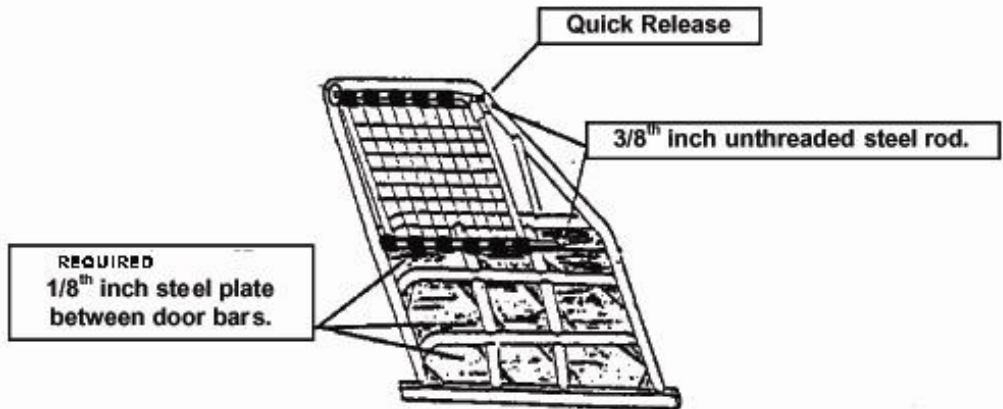


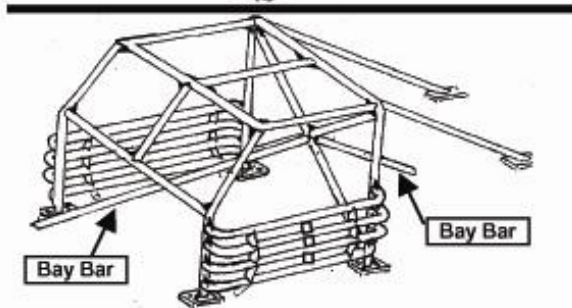
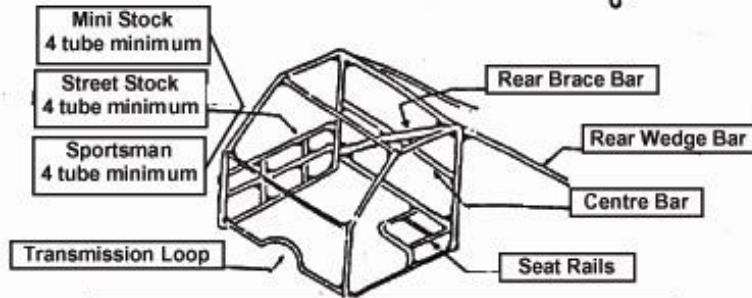
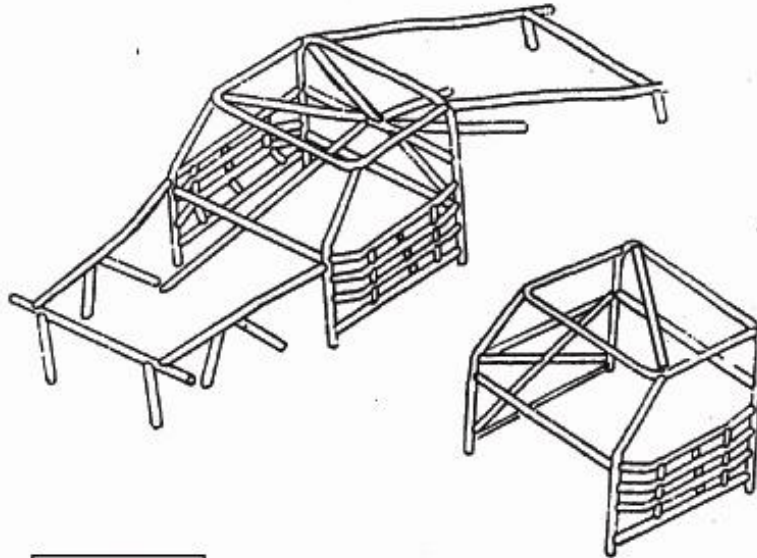
All Classes – Suggested Seat Belt Mount



Do not drill holes through roll cage tubing for seat belt mounting. Bolt holes should only be made in tabs securely welded to roll cage. Alternately, solid head eyebolts may be welded directly to cage. INTENT: SEAT, SEAT BELTS, AND MAIN ROLL CAGE SHOULD ALL MOVE TOGETHER IN CASE OF ACCIDENT. IF SEAT BELTS ARE MOUNTED WITH BOLTS, SAFETY (LOCKING) NUTS OR DOUBLE NUTS ARE REQUIRED.

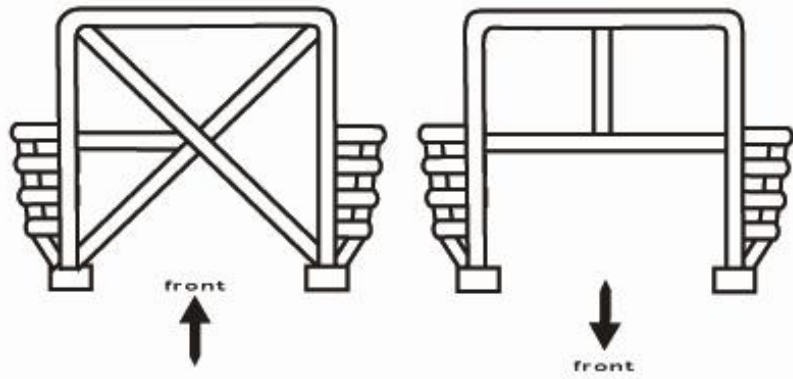


Typical Cages

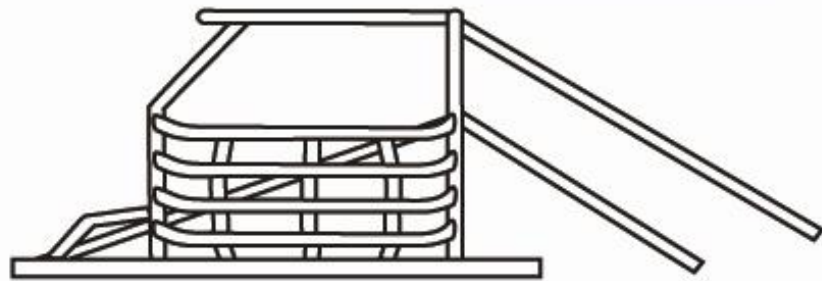


Required Roll Cage for Sportsman Class
Roll Cage Recommended for Street Stock and Mini Stock

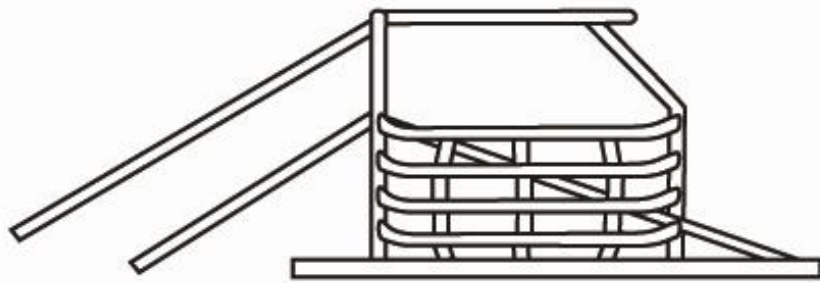
Main Joint Diagram



Gusset every Joint

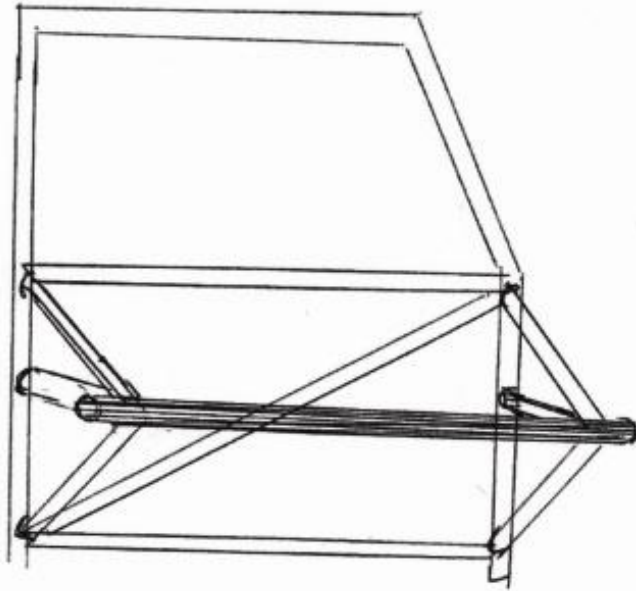
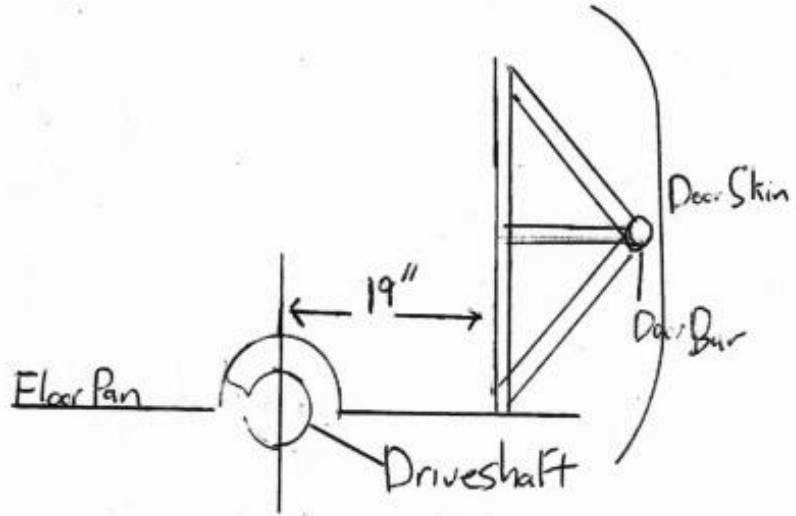


Driver's Side

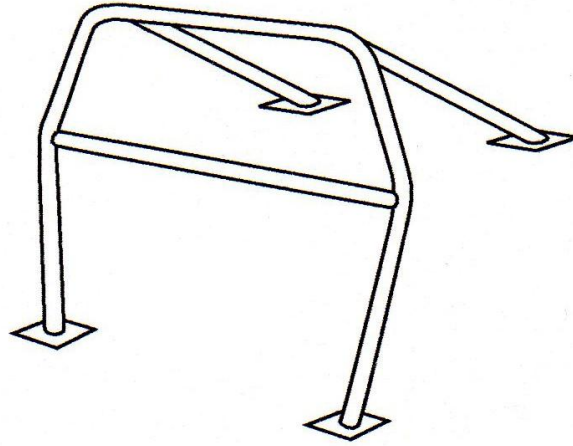


Passenger Side

Offset Cage Door Bar Diagrams



4 POINT ROLL BAR



4 POINT ROLL CAGE

